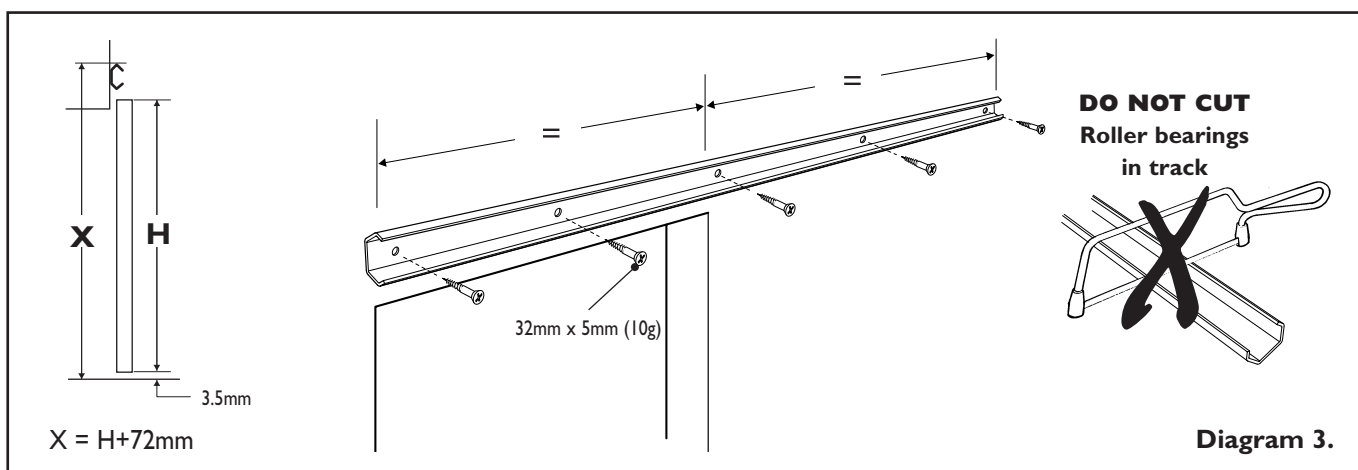
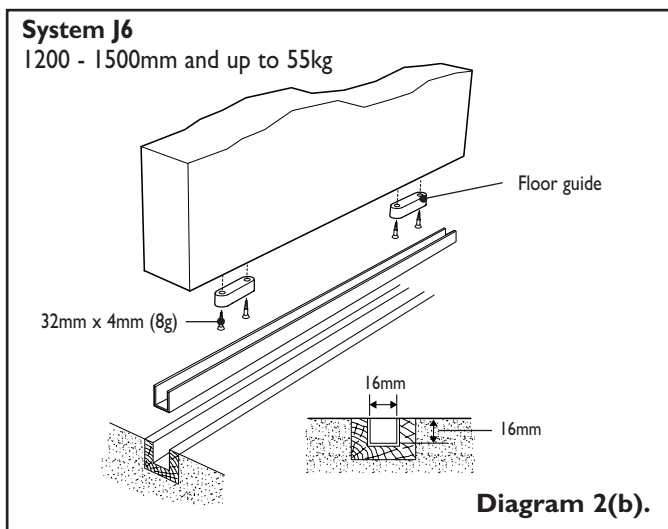
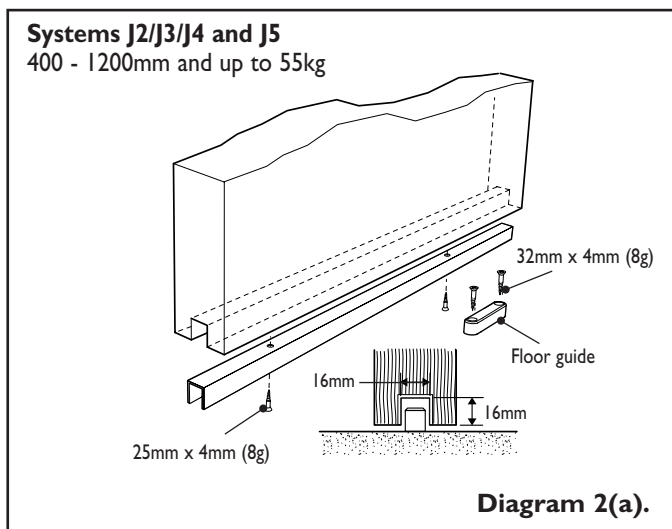
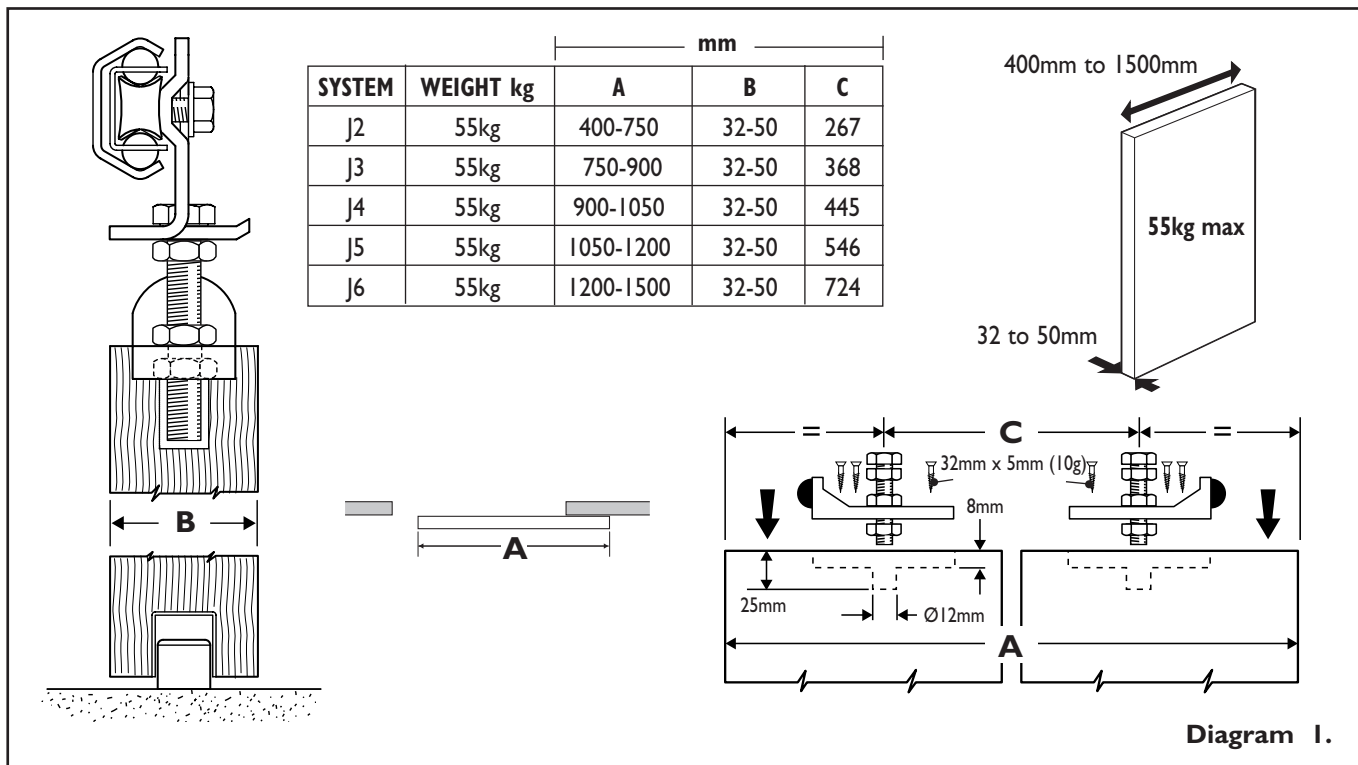


## FITTING INSTRUCTIONS - NOTICE DE POSE - MONTAGE HANDLEIDING - MONTAGEANLEITUNG INSTRUZIONI DI MONTAGGIO - INSTUCCIONES DE MONTAJE



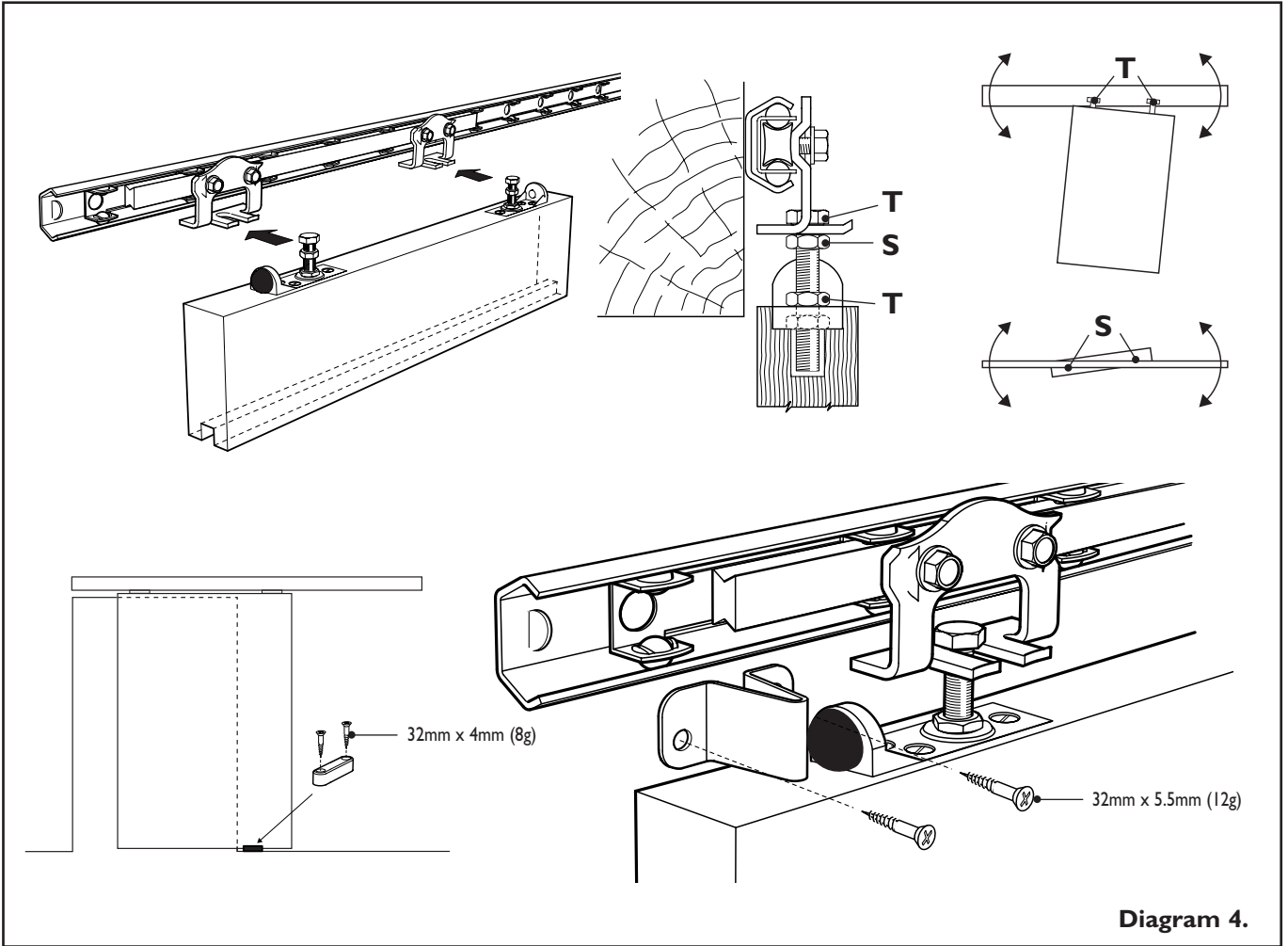


Diagram 4.

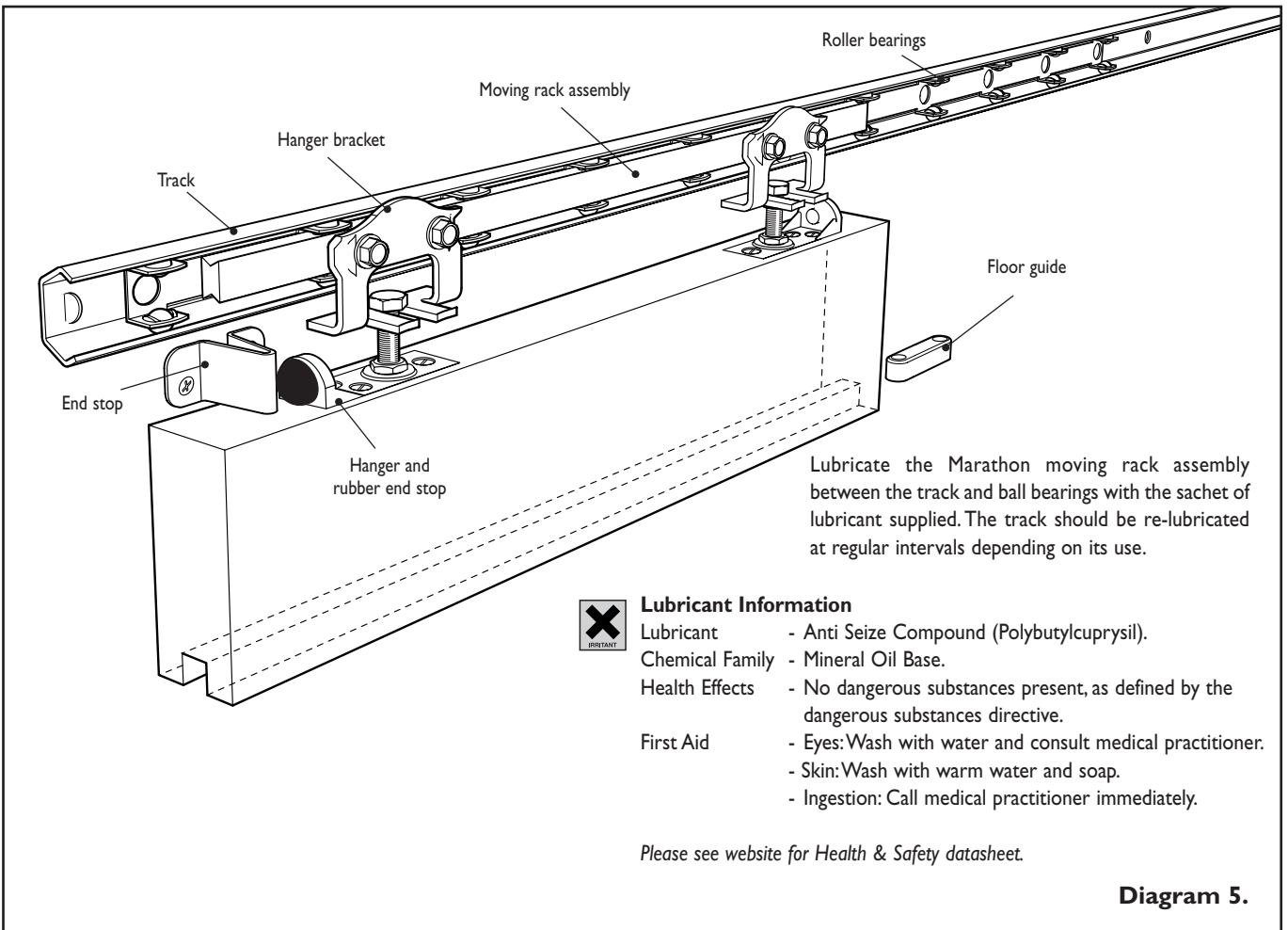


Diagram 5.