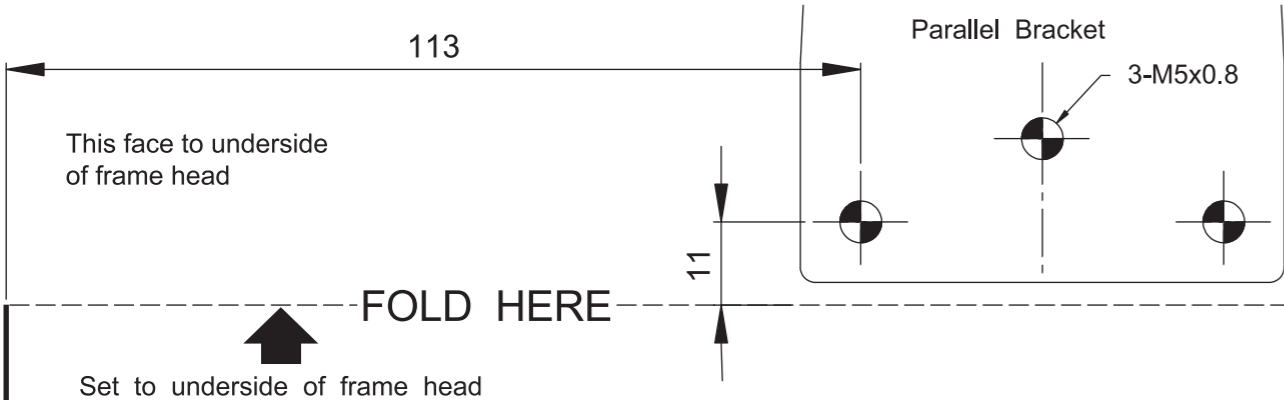
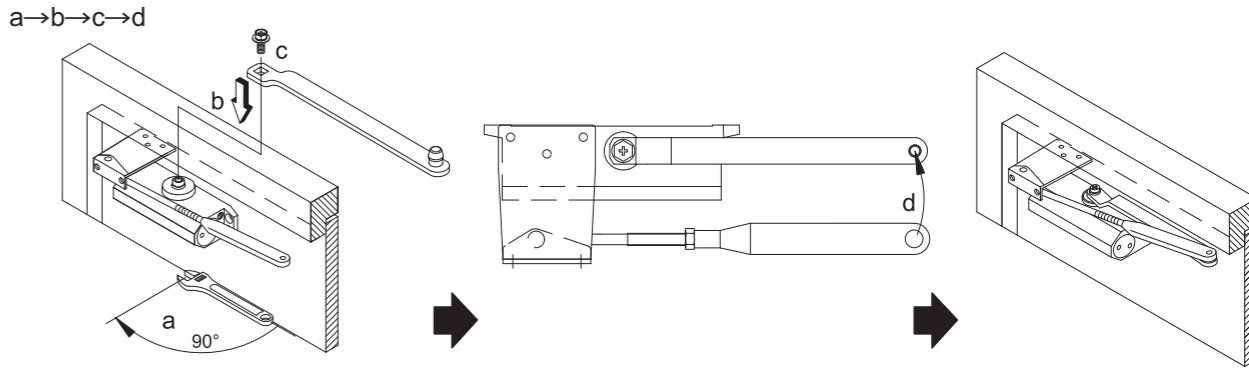


PARALLEL ARM INSTALLATION FOR ANTI-CLOCKWISE OPENING DOOR
FOR CLOCKWISE OPENING DOOR SEE THE BACK PAGE



Power Size NO.	Max. Door Weight	Max. Door Opening
2	45kgs	120°

Set this end to the left of door

FOLD HERE

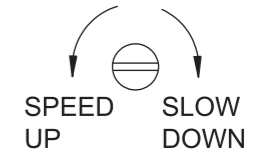
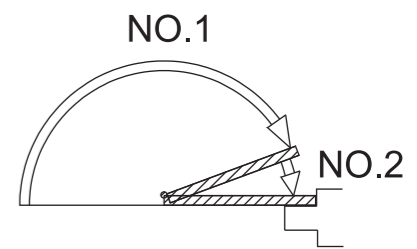
4-M5xP0.8

Backcheck Adjustable Valve (Optional)

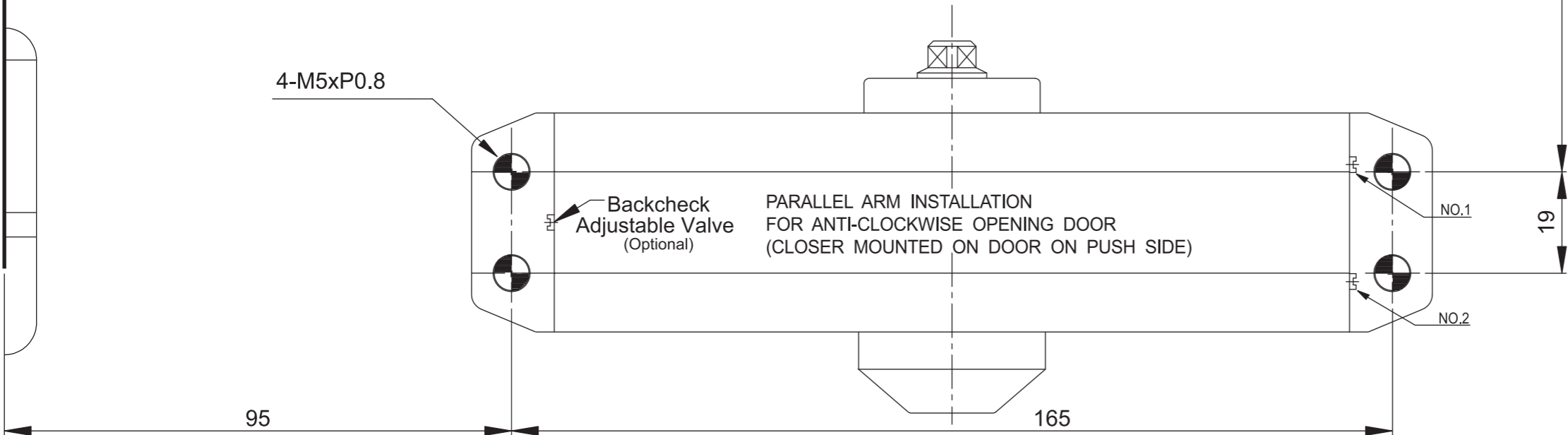
PARALLEL ARM INSTALLATION FOR ANTI-CLOCKWISE OPENING DOOR (CLOSER MOUNTED ON DOOR ON PUSH SIDE)

NO.1

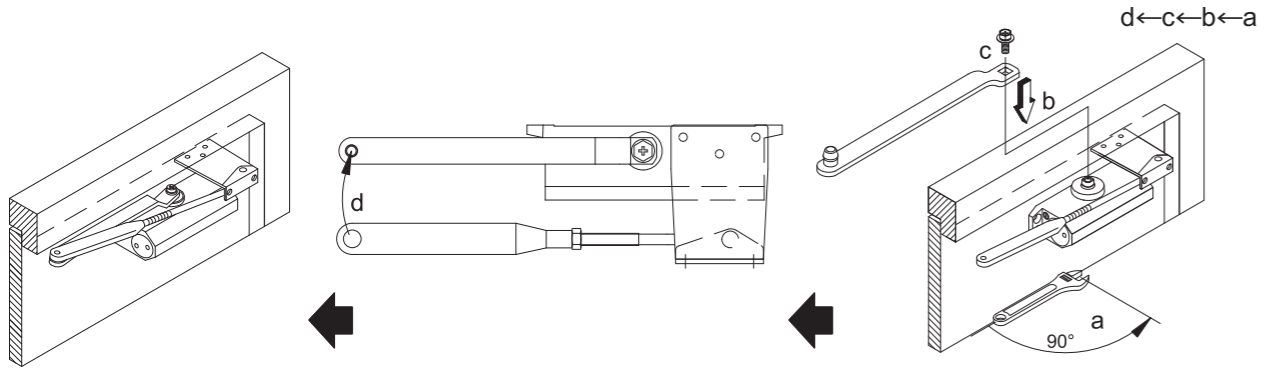
NO.2



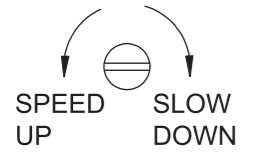
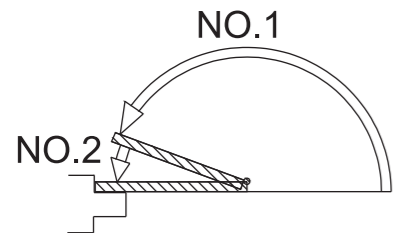
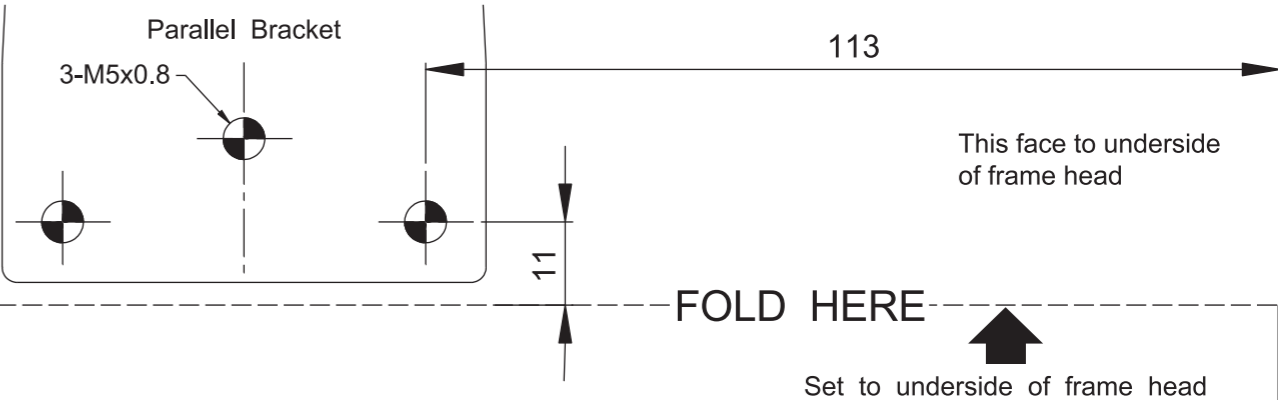
SPEED ADJUSTING VALVE



PARALLEL ARM INSTALLATION FOR CLOCKWISE OPENING DOOR FOR ANTI-CLOCKWISE OPENING DOOR SEE THE BACK PAGE



Power Size NO.	Max. Door Weight	Max. Door Opening
2	45kgs	120°



SPEED ADJUSTING VALVE

