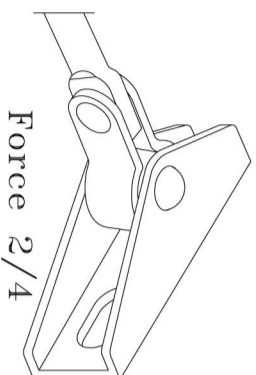
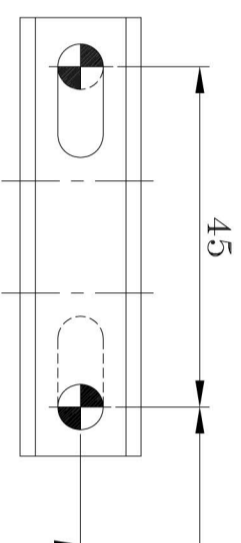


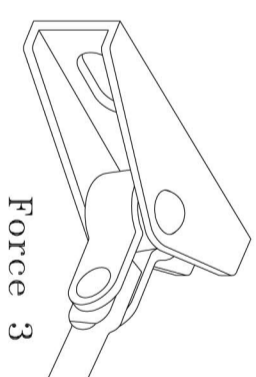
UNDERSIDE OF FRAME



Force 2/4





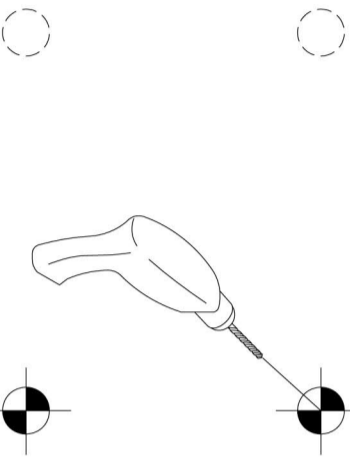
45



Force 3

SET TO TOP OF DOOR

 $\Phi 4.2$	$M5$
 $\Phi 2.5$	



50

39

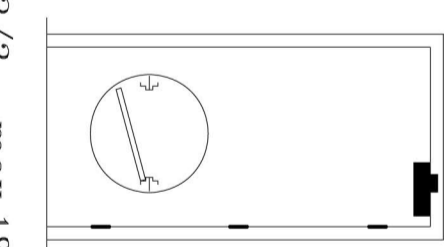
22

22

130mm (Force 2/3, max.180°)

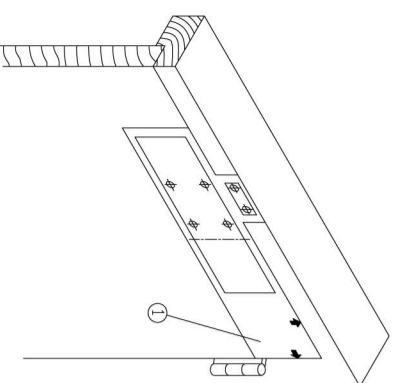
Door width ≤ 850 mm

210mm (Force 4, max.180°)
Door width ≤ 1100 mm

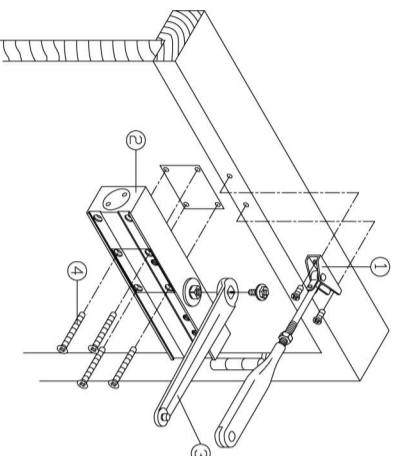


Hinge

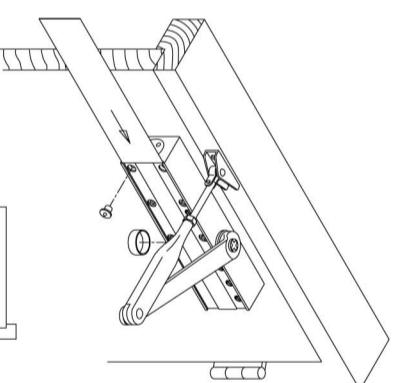
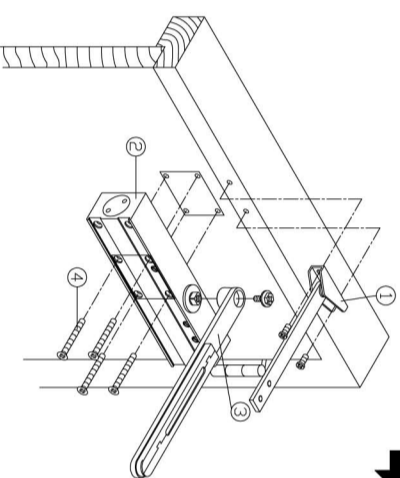
Hinge



- Determine the installation position of the door closer place the template on the closed door and the top jamb, and make holes in them with a punch or other proper tools
- ① Template

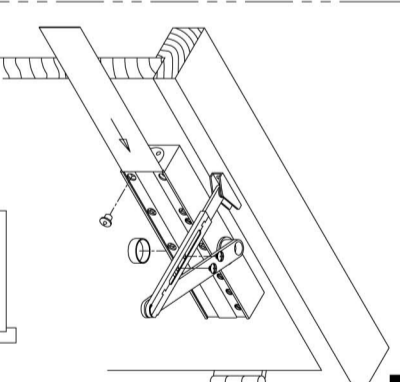


- Fix the link shoe to the top jamb .
- Fit the lever to the pinion shaft and fix it firmly with the screw .
- Mount the closer on the door
- ① Link shoe
- ② Door closer
- ③ Lever
- ④ Mounting screw



90°

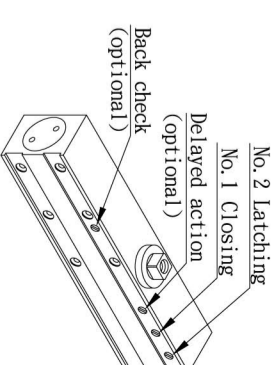
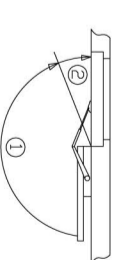
- Adjust the link length so that the link makes a right angle with the top jamb, and fix with the lock nut.
- FIX PINION CAP TO CLOSER BODY



90°

OVER ADJUSTMENT WILL LEAD TO OIL LEAKAGE WHICH WILL AFFECT THE PERFORMANCE OF THE CLOSER . IN SUCH INSTANCES OUR GUARANTEE BECOMES VOID .

FAST  SLOW 



- Adjust the closing speed. The door closer closes the door at two different speeds. The first speed can be controlled by the No. 1 speed adjusting valve, and the second speed, by the No. 2 speed adjusting valve.
- ① Closing
- ② Latching

Delayed Action



Back Check



- Maximum opening angle at 180°.

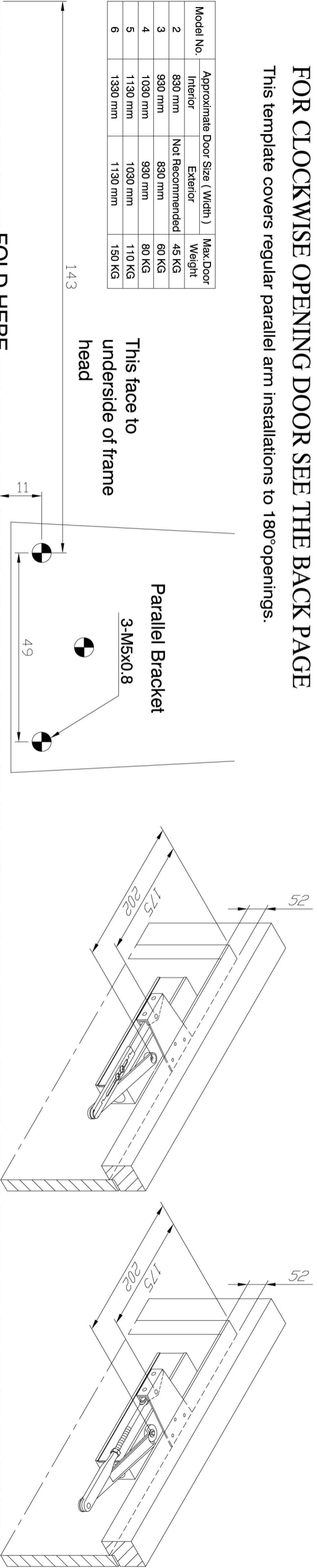
- Maintenance: Check quarterly to ensure correct setting of door closing and latching speeds and that fixing screws are tight. A small amount of oil applied to door hinges and the arm joints and rollers will assist performance.

PARALLEL ARM INSTALLATION FOR ANTI CLOCKWISE OPENING DOOR

FOR CLOCKWISE OPENING DOOR SEE THE BACK PAGE

This template covers regular parallel arm installations to 180° openings.

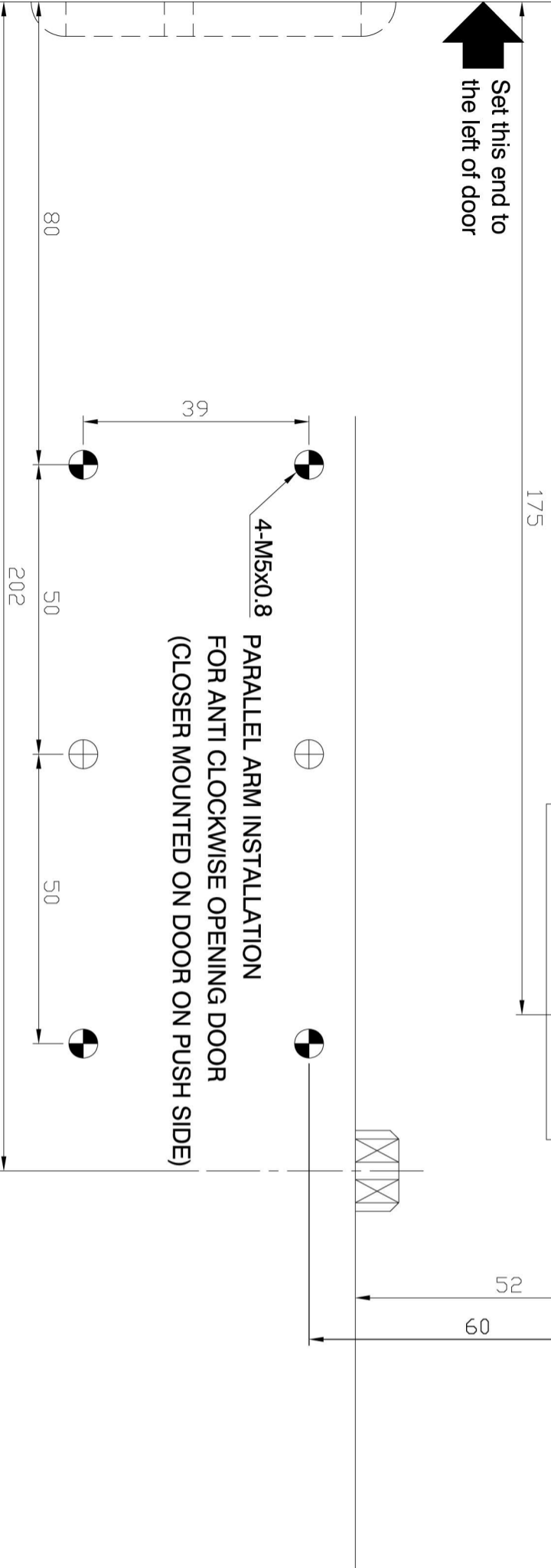
Model No.	Approximate Door Size (Width)		Max. Door Weight
	Interior	Exterior	
2	830 mm	Not Recommended	45 KG
3	930 mm	830 mm	60 KG
4	1030 mm	930 mm	80 KG
5	1130 mm	1030 mm	110 KG
6	1330 mm	1130 mm	150 KG



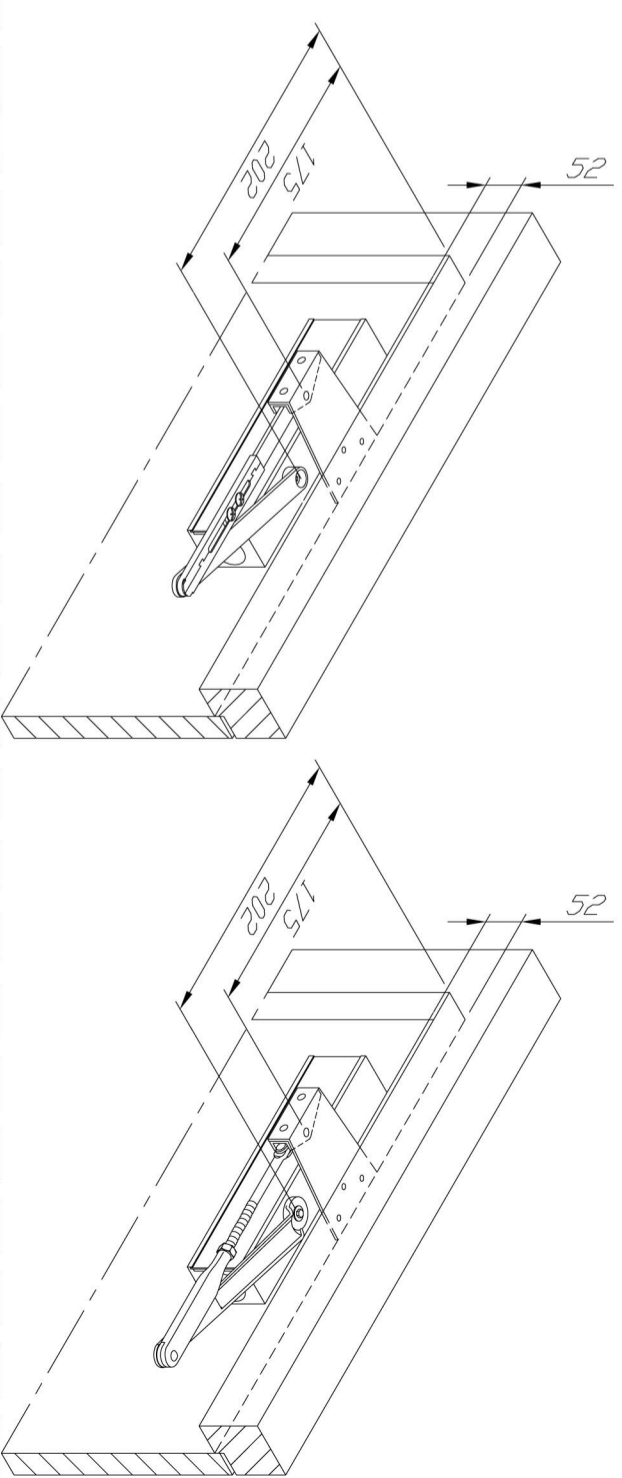
FOLD HERE

Set to underside of frame head

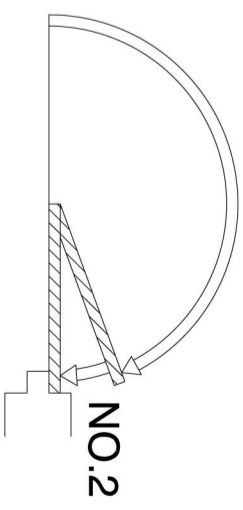
Set this end to the left of door



4-M5x0.8
PARALLEL ARM INSTALLATION FOR ANTI CLOCKWISE OPENING DOOR (CLOSER MOUNTED ON DOOR ON PUSH SIDE)



NO.1



FAST UP
 SLOW DOWN

SPEED ADJUSTING VALVE